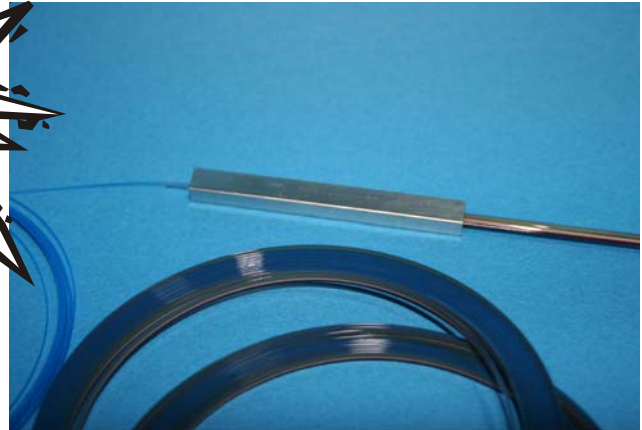


Planar Lightwave Circuit Splitter

Application:

B-PON / G-PON
 Fiber-to-the-Premise
 Fiber-to-the-Home



Features:

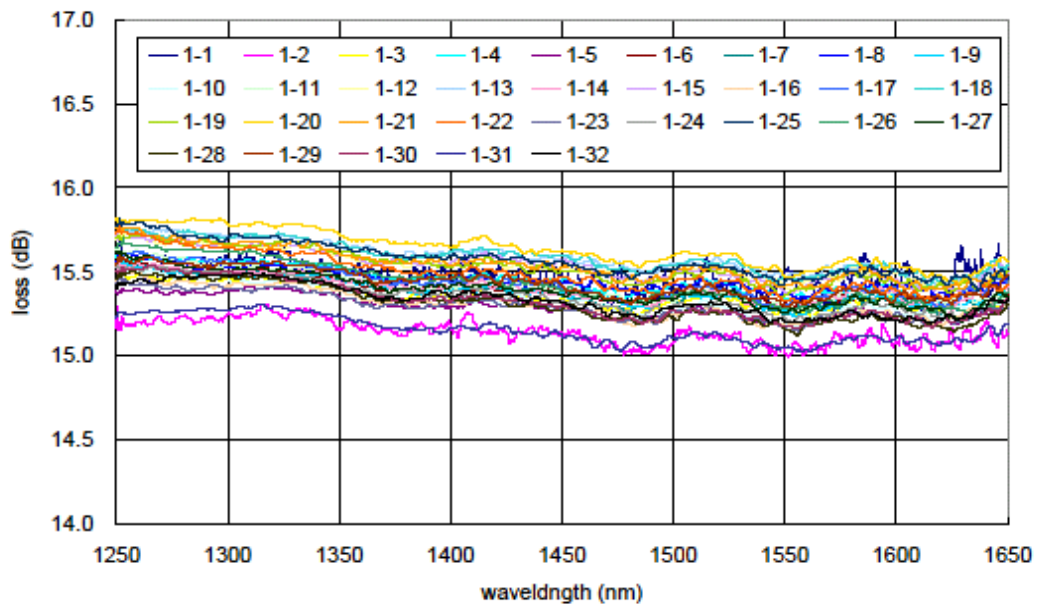
- Telcordia GR-1221 Compliant
- Low PDL
- Low Insertion Loss
- Compact
- Excellent Uniformity
- Exceptionally Stable and Reliable

Description:

NSG's PLC Splitters provide high performance with very low insertion loss, excellent uniformity and temperature stability, and low PDL. They are designed for demanding requirements over a wide operating wavelength range (1260 ~ 1650nm) and are GR-1209-CORE, GR-1221-CORE specification compliant.

The splitters are pigtailed with Bend-Insensitive Single Mode fiber (Bend Radius 15mm) to achieve a robust, compact package that is durable for field handling. The splitters are available in 4, 8, 16, 32 and 64 channel configuration with a variety of connector choices.

Wavelength Spectrum:

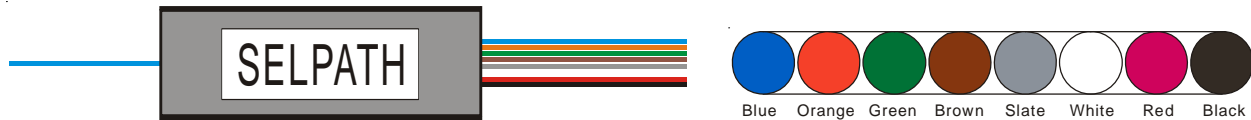


Specifications:

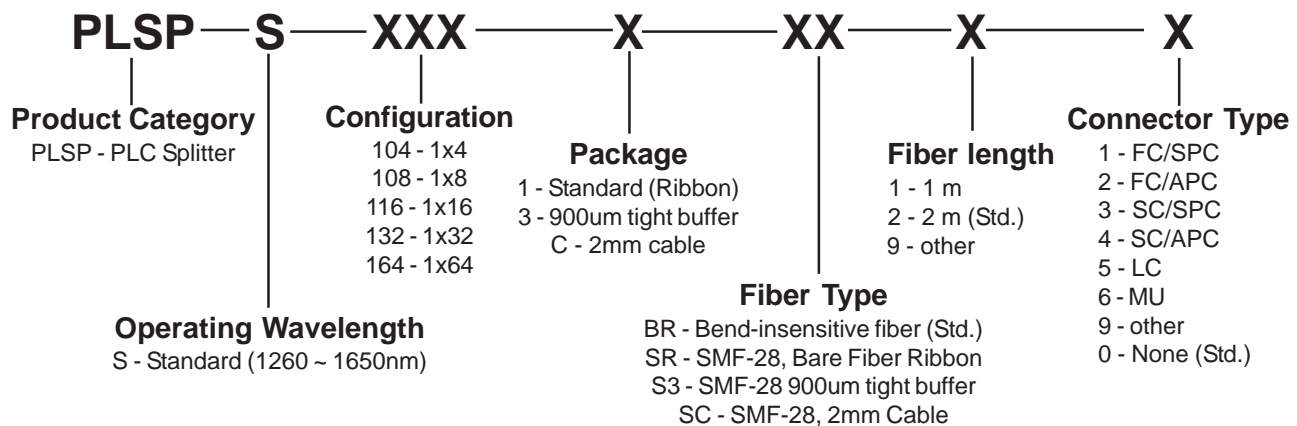
Parameters	Specification				
Configuration	1x4	1x8	1x16	1x32	1x64
Coupling Ratio	EVEN				
Input Port Number	1				
Output Port Number	4	8	16	32	64
Operating Wavelength (nm)	1260 ~ 1650				
Insertion Loss @ 1310&1550nm (dB)	<7.5	<10.5	<13.5	<17.0	<20.4
Uniformity @ 1310&1550nm (dB)	<0.8	<0.8	<1.0	<1.3	<2.0
PDL @ 1310&1550nm (dB)	<0.2				
Directivity @ 1310&1550nm (dB)	>55				
Return Loss @ 1310&1550nm (dB)	>55				
Optical Power Handling (mW)	<300				
Operating Temperature Range (°C) *	-40 to +85				
Storage Temperature Range (°C)	-40 to +85				
Fiber Type	Bend-insensitive fiber, Ribbon				
Package Size, (L)x(W)x(H) (mm)	40x4x4	40x4x4	50x5x4	50x7x4	70x12x4
Package Option; 900um tight buffer (mm)		95x75x9		120x90x9	120x90x16
; 2mm cable (mm)		95x75x9		120x90x9	120x90x16

All specifications are without fiber connectors

Ribbon Fiber Color Code;



Ordering Information:



Example: PLSP - S - 108 - S - BR - 2 - 0

PLC Splitter, 1x8, Standard Package (40x4x4mm), Bend-insensitive Ribbon fiber, Fiber Length;2m, No Connector

Document # - NSG-S-MKT-PLSP-REV1-08-SEP



Nippon Sheet Glass Co., Ltd. Sagami-hara, Japan
Tel. +81-42-775-1570 Fax +81-42-775-1578
NSG America, Inc. Somerset, NJ USA
Tel. +1-732-469-9650 Fax +1-732-469-9654

NSG Europe N.V./S.A. Temse, Belgium
Tel. +32-3711-1009 Fax +32-3711-1534
NSG Hong Kong Co. Ltd. Shanghai Office
Tel. +86-21-64151646 Fax +86-21-64723098